

# Product Data Sheet

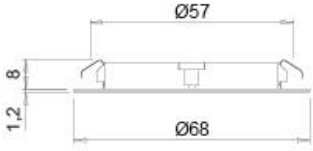

Article number (will be added by Beslag Design):  
**973433 / 973429 / 973434 (2700K)**

Produced by KG	Date 2020-01-27	Replaces 2017-10-19	Valid from 2020-01-27
-------------------	--------------------	------------------------	--------------------------

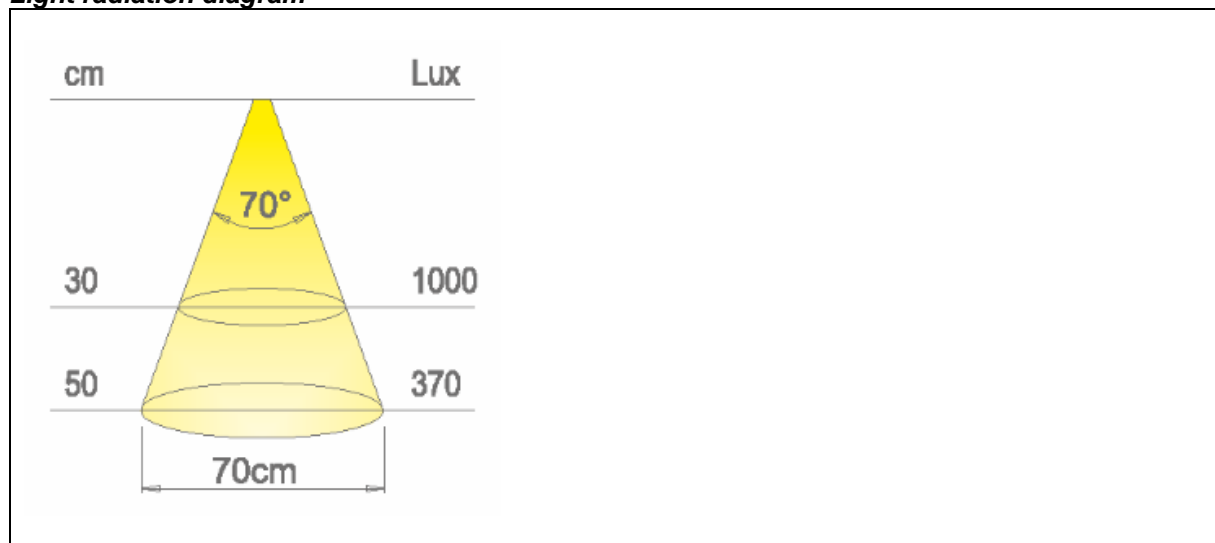
## Company information

<b>Company name</b>	Beslag Design	<b>Telephone number</b>	+46(0)431 784 80
<b>Address</b>	Inre Kustvägen 32 SE-269 43 Båstad	<b>Fax number</b>	+46(0)431 784 99
<b>E-mail</b>	info@beslagdesign.se	<b>Web page</b>	www.beslagdesign.se

## Product Data

<b>Product name</b>	Atom 2700K
<b>Article No.</b>	973433 (satin nickel), 9734429 (white), 973434 (black)
<b>Versions</b>	N/A
<b>Description</b>	LED spotlight
<b>Product material</b>	Themoplastic polymers /metahacrylate (PMMA)
<b>Surface finish</b>	Satin nickel (rf-look)
<b>Dimensions (mm)</b>	
<b>Light source type</b>	SMD EDGE LED
<b>Connection type</b>	2000mm cable with micro24 male connection
<b>Voltage (V)</b>	24V
<b>Rated power (W)</b>	3W
<b>Luminous power at 50cm (lux)</b>	370lux
<b>Luminous flux (lm)</b>	180lm
<b>Luminous efficiency (lm/W)</b>	60lm/W
<b>Light temperature (K)</b>	2700K
<b>Color rendering index (CRI)</b>	Ra ≥ 80
<b>Beam Angle (°)</b>	70°
<b>Dimmable (Yes/No)</b>	Yes
<b>Driver included (Yes/No)</b>	No
<b>Life span (h)</b>	30.000h - average value (minimum guaranteed complies with the requirements of EU Regulation 1194/2012)
<b>Replaceable light source</b>	No
<b>Insulation degree</b>	III
<b>IP rating</b>	IP20
<b>Compliance-Standards</b>	EN60598-2-2:2012 EN60598-1:2015 EN62493:2015 EN50581:2012
<b>Compliance-European Directives</b>	2014/35/EU Low Voltage 2009/125/EC Erp (Reg.No. 1194/2012/UE + Reg. 1428/2015/UE) 2011/65/UE RoHs
<b>Markings</b>	
<b>Total weight (kg)</b>	N/A
<b>Packaging size (WxDxH)</b>	N/A
<b>Other:</b>	

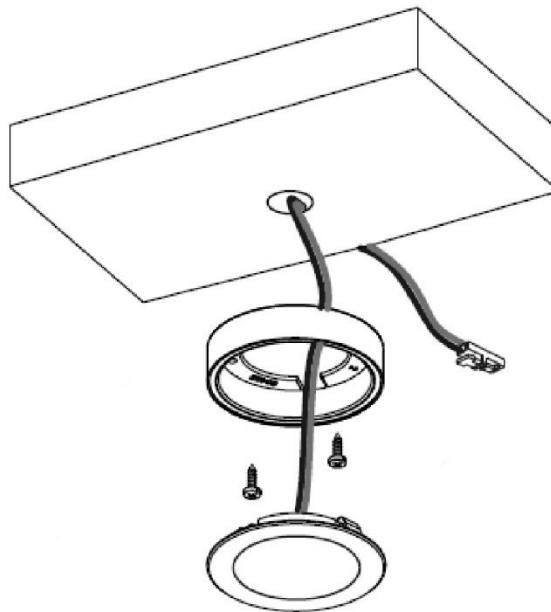
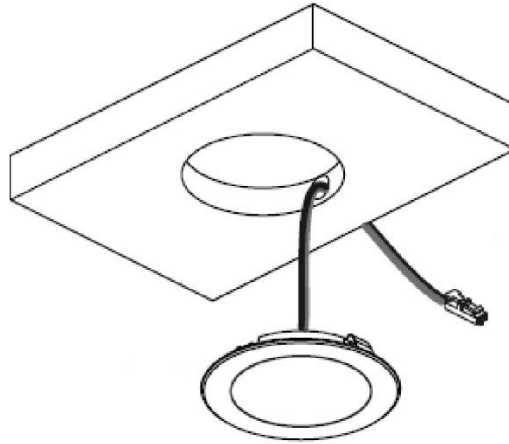
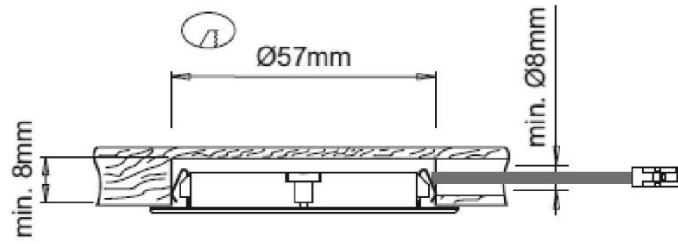
## Light radiation diagram



<p>Energy label</p>	
<p>Care instructions</p>	<p>The product is wiped clean with a damp cloth. Do not use strong detergent.</p>
<p>Packaging material</p>	<p>Card board</p>
<p>Recycling instructions</p>	<p>Device is subject to the European Community directives 2002/96/CE and 2003/108/CE and shall be handed in at a waste deposit center</p>

Mounting instructions

Ø57 (diameter of hole for recessed mounting)



# Product Data Sheet

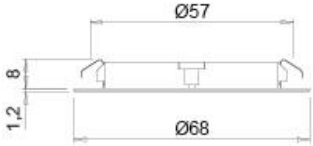

Article number (will be added by Beslag Design):  
**973430 / 973431 / 973432 (3000K)**

Produced by KG	Date 2020-01-27	Replaces 2017-10-18	Valid from 2020-01-27
-------------------	--------------------	------------------------	--------------------------

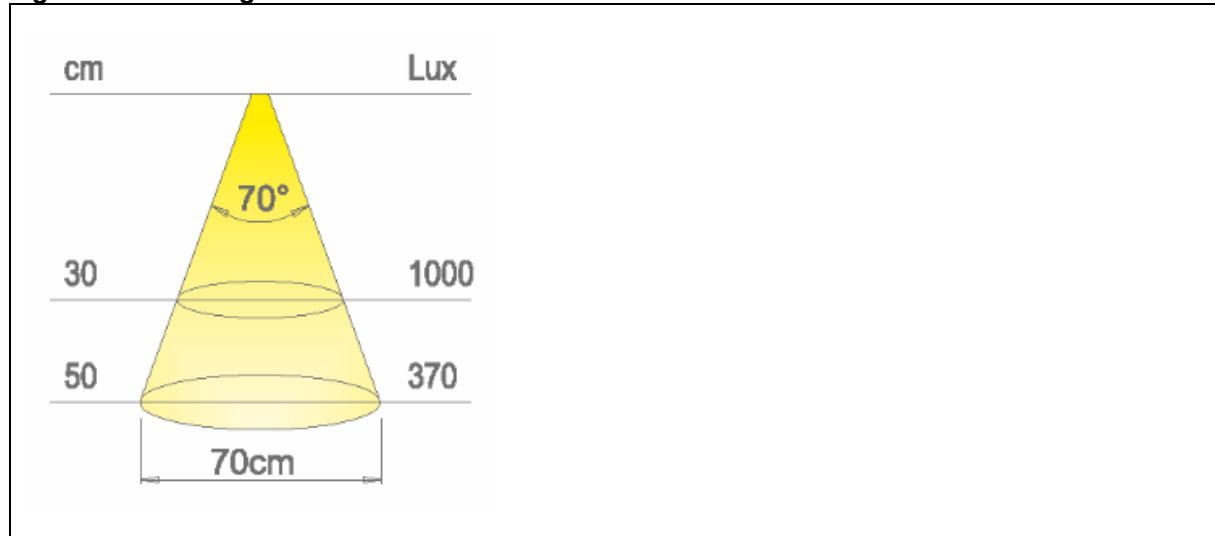
## Company information

<b>Company name</b>	Beslag Design	<b>Telephone number</b>	+46(0)431 784 80
<b>Address</b>	Inre Kustvägen 32 SE-269 43 Båstad	<b>Fax number</b>	+46(0)431 784 99
<b>E-mail</b>	info@beslagdesign.se	<b>Web page</b>	www.beslagdesign.se

## Product Data

<b>Product name</b>	Atom 3000K
<b>Article No.</b>	973430 (satin nickel), 973431 (white), 973432 (black)
<b>Versions</b>	N/A
<b>Description</b>	LED spotlight
<b>Product material</b>	Thermoplastic polymers /metahacrylate (PMMA)
<b>Surface finish</b>	Satin nickel / white
<b>Dimensions (mm)</b>	
<b>Light source type</b>	SMD EDGE LED
<b>Connection type</b>	2000mm cable with micro24 male connection
<b>Voltage (V)</b>	24V
<b>Rated power (W)</b>	3W
<b>Luminous power at 50cm (lux)</b>	370lux
<b>Luminous flux (lm)</b>	180lm
<b>Luminous efficiency (lm/W)</b>	60lm/W
<b>Light temperature (K)</b>	3000K
<b>Color rendering index (CRI)</b>	Ra ≥ 80
<b>Beam Angle (°)</b>	70°
<b>Dimmable (Yes/No)</b>	Yes
<b>Driver included (Yes/No)</b>	No
<b>Life span (h)</b>	30.000h - average value (minimum guaranteed complies with the requirements of EU Regulation 1194/2012)
<b>Replaceable light source</b>	No
<b>Insulation degree</b>	Class III
<b>IP rating</b>	IP20
<b>Compliance-Standards</b>	EN60598-2-2:2012 EN60598-1:2015 EN62493:2015 EN50581:2012
<b>Compliance-European Directives</b>	2014/35/EU Low Voltage 2009/125/EC Erp (Reg.No. 1194/2012/UE + Reg. 1428/2015/UE) 2011/65/UE RoHs
<b>Markings</b>	
<b>Total weight (kg)</b>	N/A
<b>Packaging size (WxDxH)</b>	N/A
<b>Other:</b>	

## Light radiation diagram



<p>Energy label</p>	
<p>Care instructions</p>	<p>The product is wiped clean with a damp cloth. Do not use strong detergent.</p>
<p>Packaging material</p>	<p>Card board</p>
<p>Recycling instructions</p>	<p>Device is subject to the European Community directives 2002/96/CE and 2003/108/CE and shall be handed in at a waste deposit center</p>

Mounting instructions

Ø57 (diameter of hole for recessed mounting)

