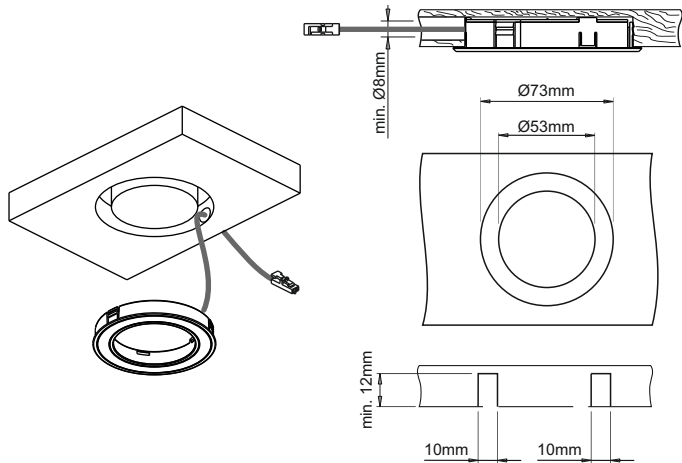
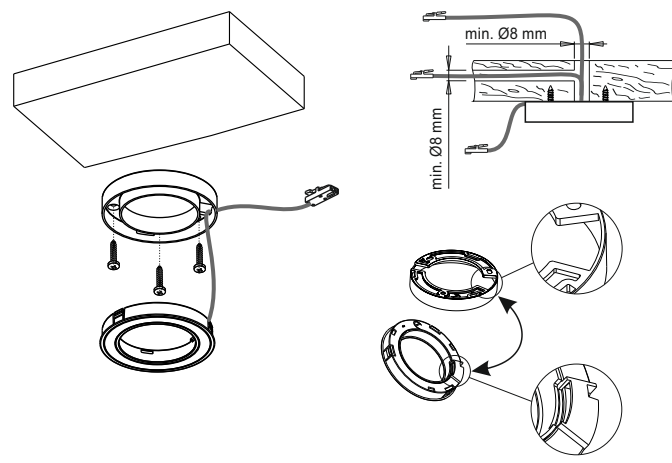


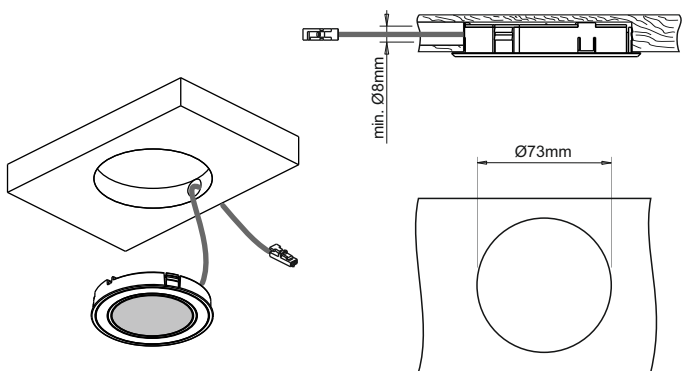
HOLL BH



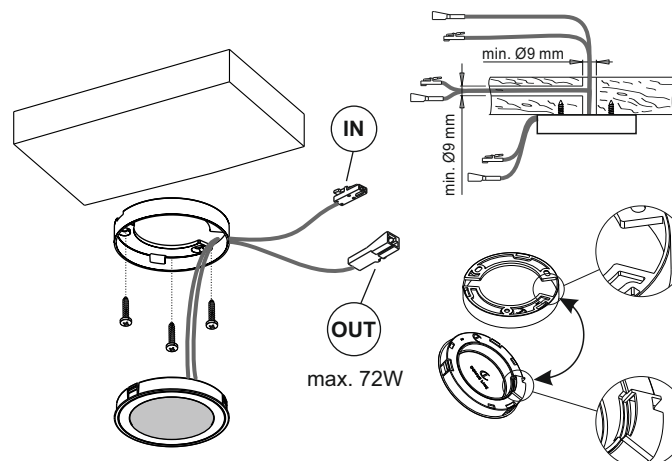
HOLL BH SP



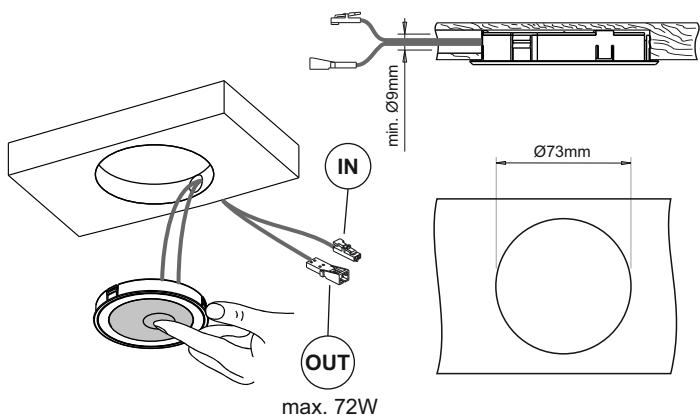
HOLL TH



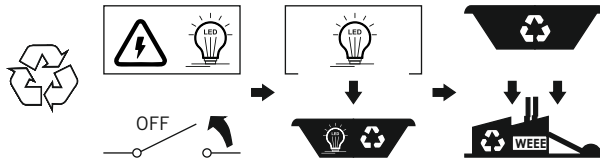
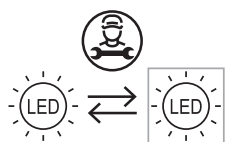
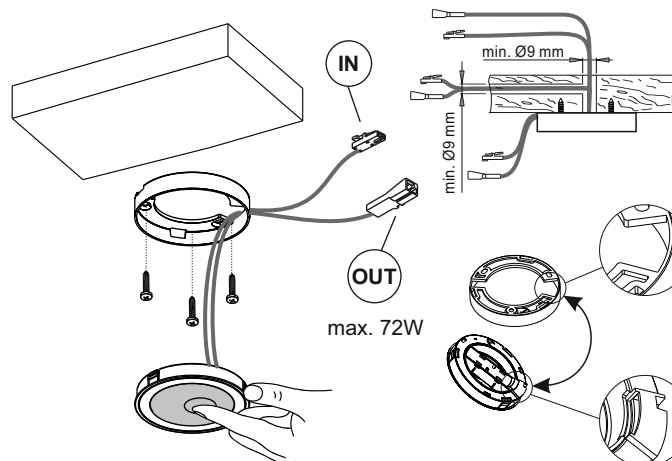
HOLL TH SP



HOLL TDM



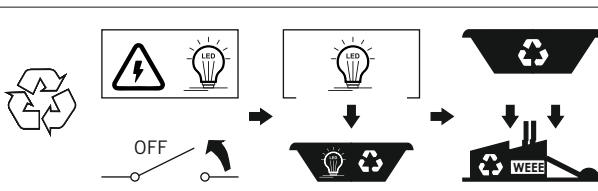
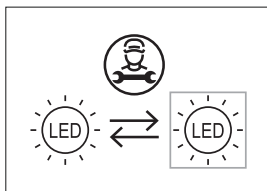
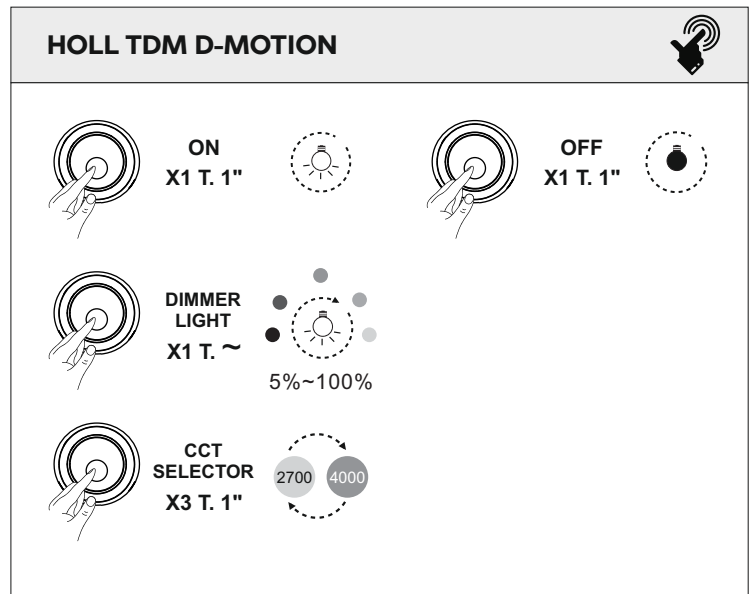
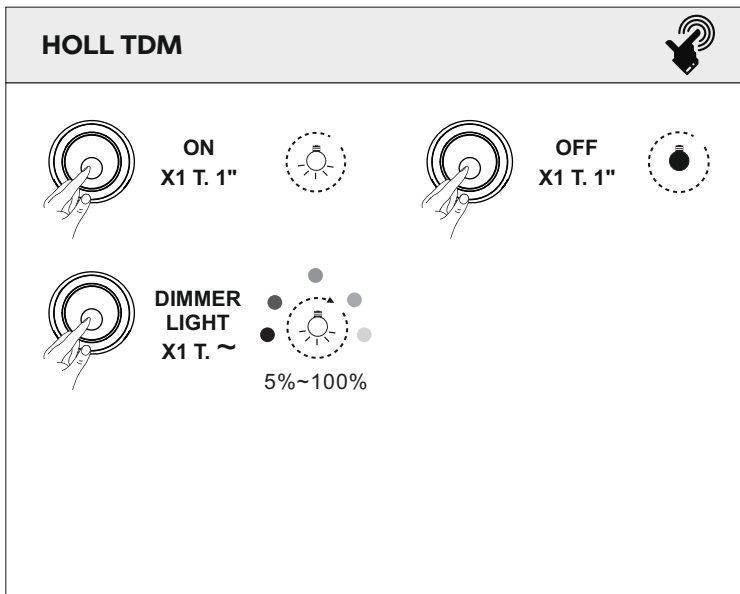
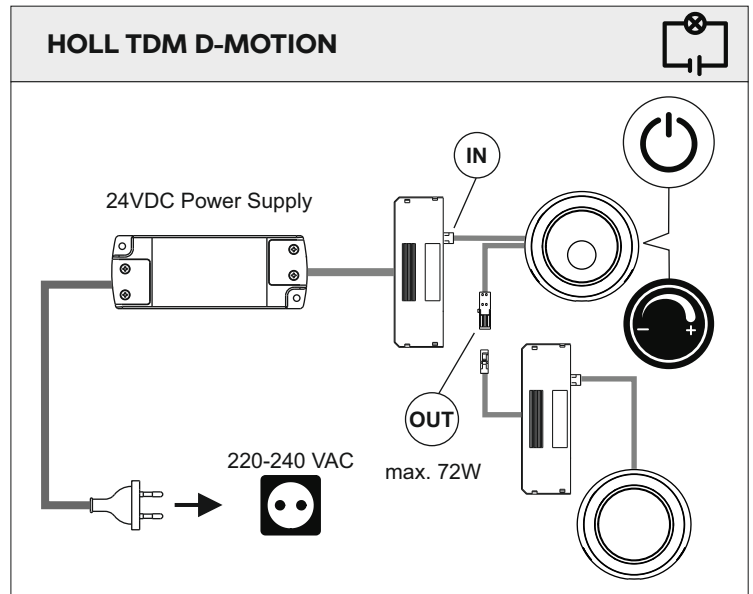
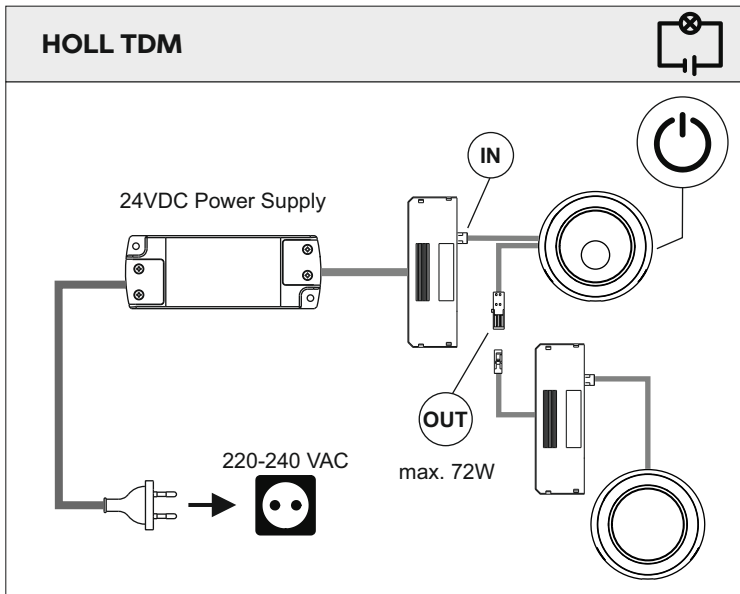
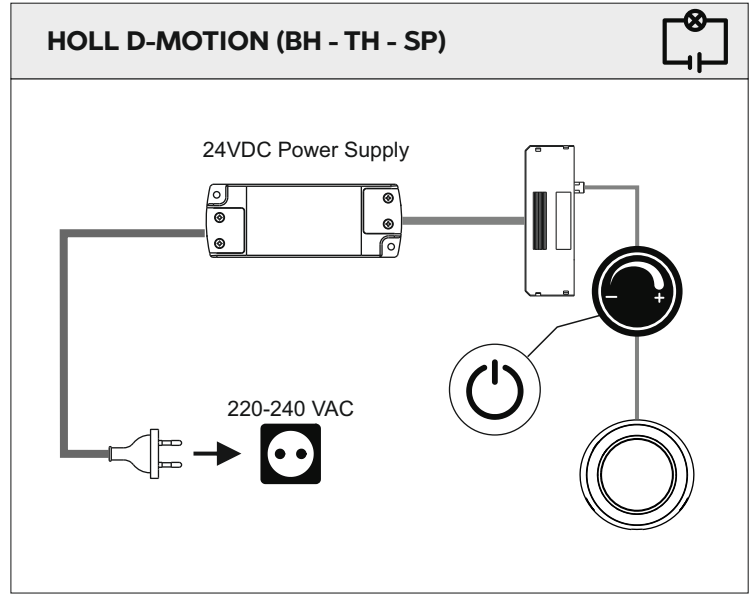
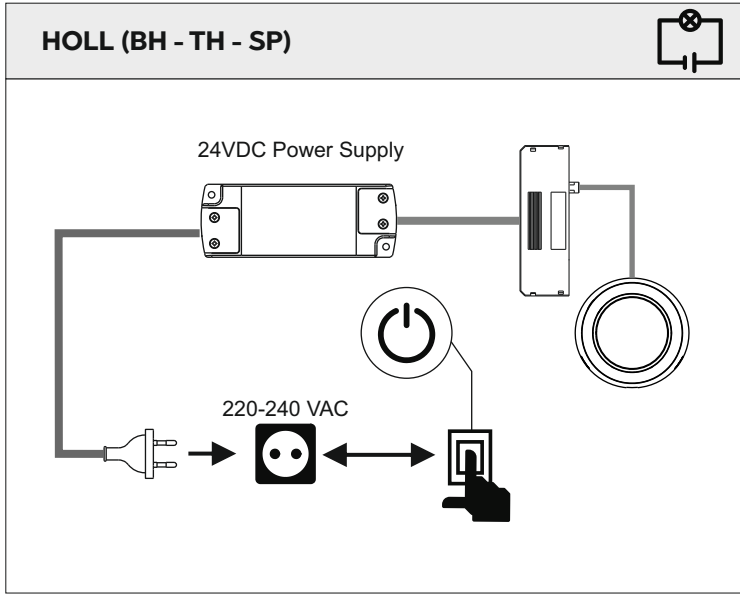
HOLL TDM SP



HOLL



HOLL SP



HOLL



HOLL SP